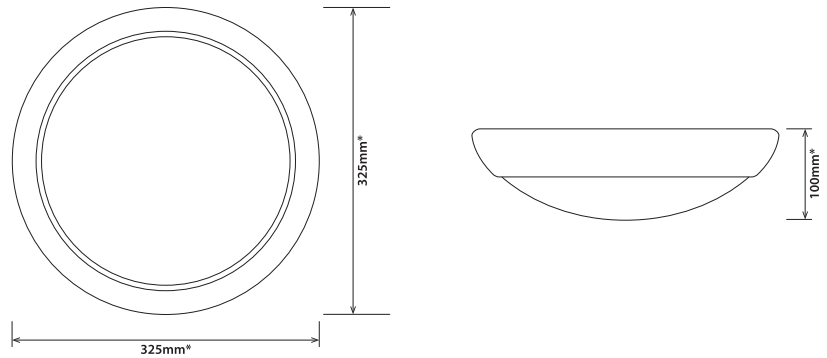


Product Information



Technical Specifications

Model	Voltage	Power	Power Factor	Lumen (±5%)	Beam angle	CCT	Emergency Function	Microwave Function	Corridor Function	Lifespan	CRI	Dimension
S8991	AC 220-240V	15W	>0.7	1320-1440	120°	3000K/4000K/6000K	No	No	No	50000h	>80	325*325*100mm
S17474	AC 220-240V	15W	>0.7	1320-1440	120°	3000K/4000K/6000K	No	Yes	No	50000h	>80	325*325*100mm
S17475	AC 220-240V	15W	>0.7	1320-1440	120°	3000K/4000K/6000K	Yes	No	No	50000h	>80	325*325*100mm
S17476	AC 220-240V	15W	>0.7	1320-1440	120°	3000K/4000K/6000K	Yes	Yes	No	50000h	>80	325*325*100mm

Driver data Sheet

Driver data	DIM
Input rated Voltage	AC220-240V
Frequency	50/60Hz
Input Voltage	198-264VAC
Efficiency	83%
Total load Wattage	15W
Power Factor	>0.7
Rated input current	<0.12A
Full load output Voltage	22-40VDC
Rated output current	350mA
Output current range	350±25mA
Power tolerance	±5%
Current output tolerance	±25mA
Withstand voltage	3750V
Short circuit protection	PASS
Overload protection	PASS
No-load protection	PASS

Fixture Compatibility

Rated Wattage	Electrical Classification	Ingress Protection	Operating Temp	Operating Humidity	Storage Temp
15W	I	IP65	-30°C-50°C	10-90%	-25°C-60°C